

GREASE ARRESTORS

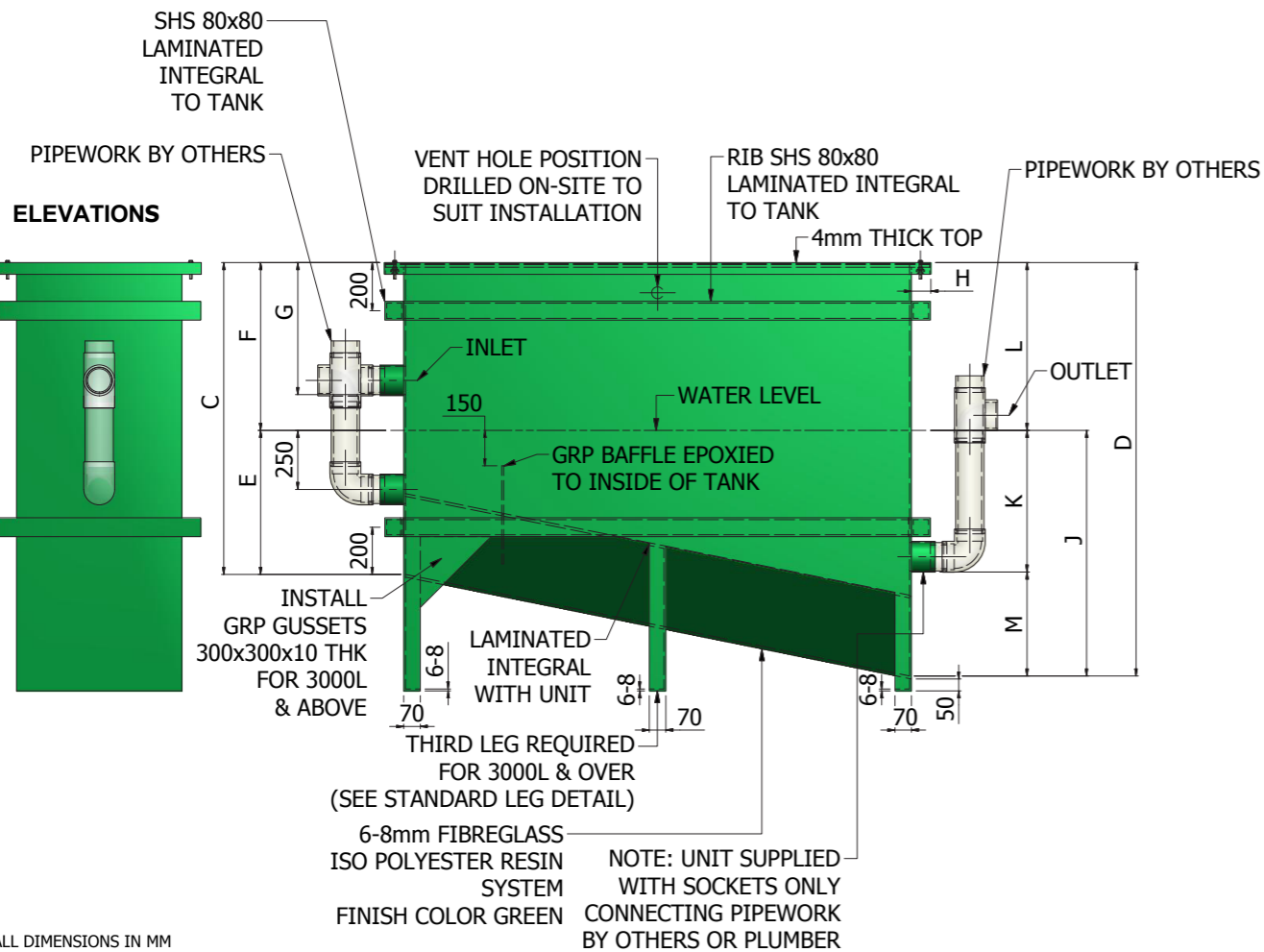
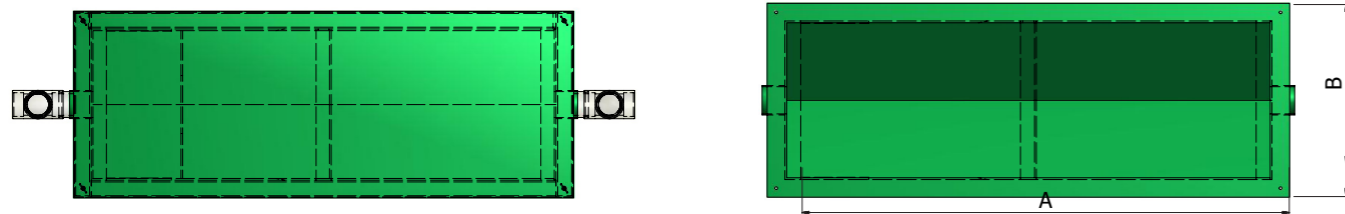
ABOVE GROUND

GREASE ARRESTORS

FEATURES
Sizes from 1000 to 5000
Above or below ground installation

APPLICATIONS
Large commercial kitchens
Above or below ground installation

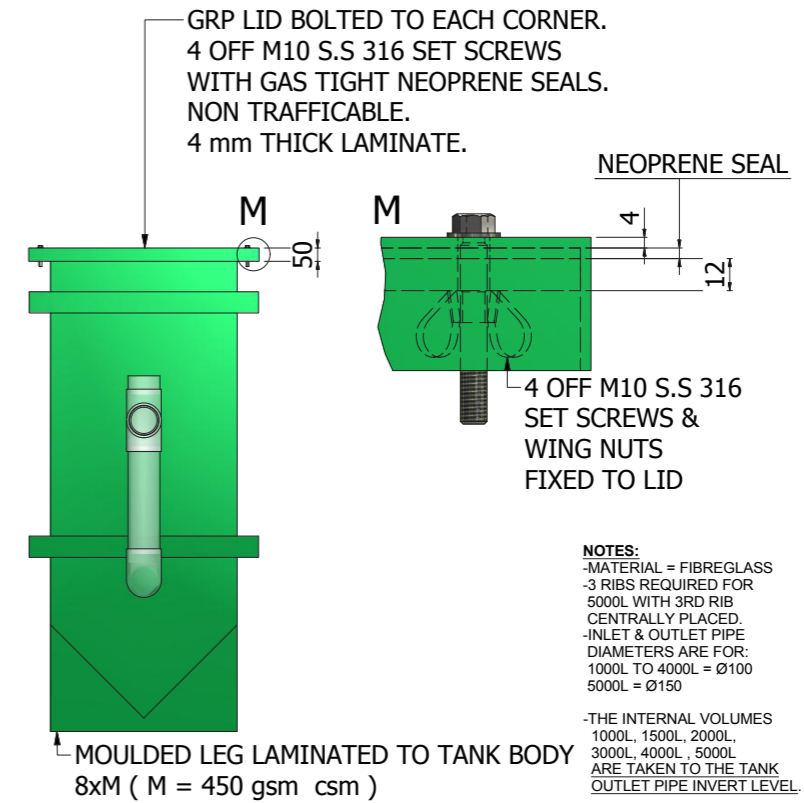
Kwikflo grease arrestors are used to retrieve grease from commercial or industrial effluent.



ALL DIMENSIONS IN MM

KWIKFLO ENVIRONMENTAL GREASE ARRESTORS

ABOVE GROUND



NOTES:
 -MATERIAL = FIBREGLASS
 -3 RIBS REQUIRED FOR 5000L WITH 3RD RIB CENTRALLY PLACED.
 -INLET & OUTLET PIPE DIAMETERS ARE FOR:
 1000L TO 4000L = Ø100
 5000L = Ø150
 -THE INTERNAL VOLUMES 1000L, 1500L, 2000L, 3000L, 4000L, 5000L ARE TAKEN TO THE TANK OUTLET PIPE INVERT LEVEL.

PART NO	MODEL NO	DESCRIPTION
380006	KGA10A	Kwikflo above ground fibreglass grease arrestor. With 1000 litres nominal capacity and fibreglass lids.
380024	KGA15A	Kwikflo above ground fibreglass grease arrestor. With 1500 litres nominal capacity and fibreglass lids.
380042	KGA20A	Kwikflo above ground fibreglass grease arrestor. With 2000 litres nominal capacity and fibreglass lids.
380060	KGA30A	Kwikflo above ground fibreglass grease arrestor. With 3000 litres nominal capacity and fibreglass lids.
380078	KGA40A	Kwikflo above ground fibreglass grease arrestor. With 4000 litres nominal capacity and fibreglass lids.
380096	KGA50A	Kwikflo above ground fibreglass grease arrestor. With 5000 litres nominal capacity and fibreglass lids.

DIMENSIONS	1000L	1500L	2000L	3000L	4000L	5000L
CODE	KGA10A	KGA15A	KGA20A	KGA30A	KGA40A	KGA50A
A	2150	2150	2520	3030	3030	3800
B	700	700	800	1080	1080	1350
C	1320	1320	1410	1580	1580	1840
D	1750	1750	1900	1900	2120	2450
E	610	870	910	910	1170	1050
F	710	450	500	500	410	790
G	560	300	350	350	260	640
H	82	82	80	80	125	125
J	1040	1300	1400	1400	1710	1660
K	600	625	745	745	880	650
L	710	450	500	500	410	790
M	440	675	655	655	830	1010